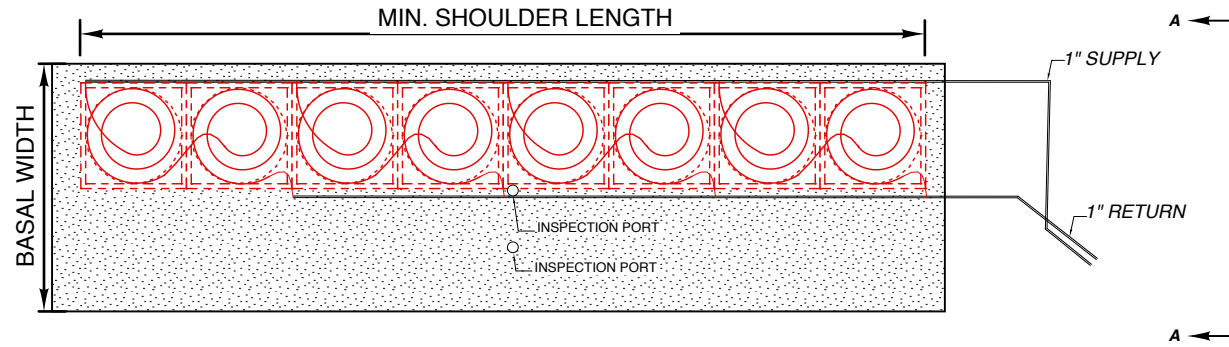
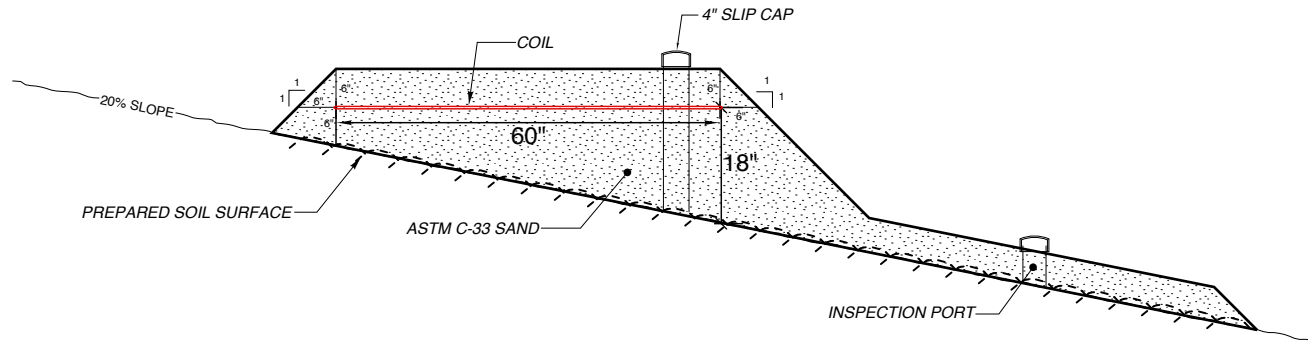


# OS-360-5S



**Plan View**  
NTS



**Section A**  
NTS