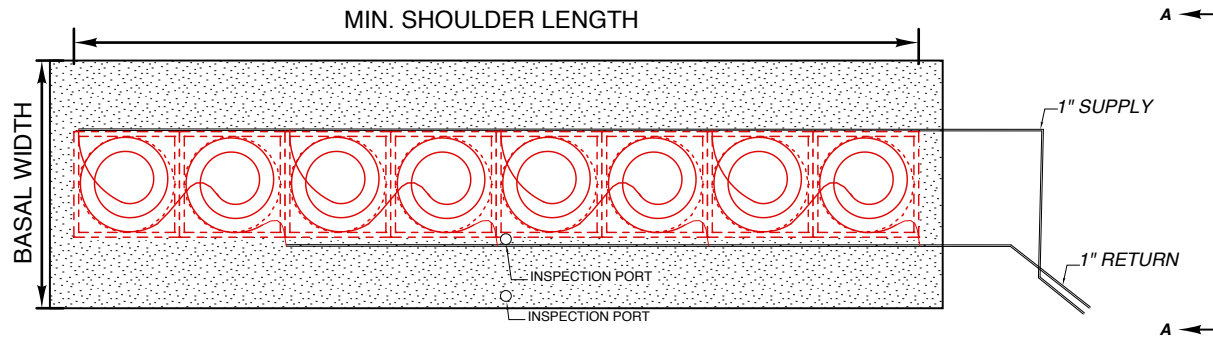
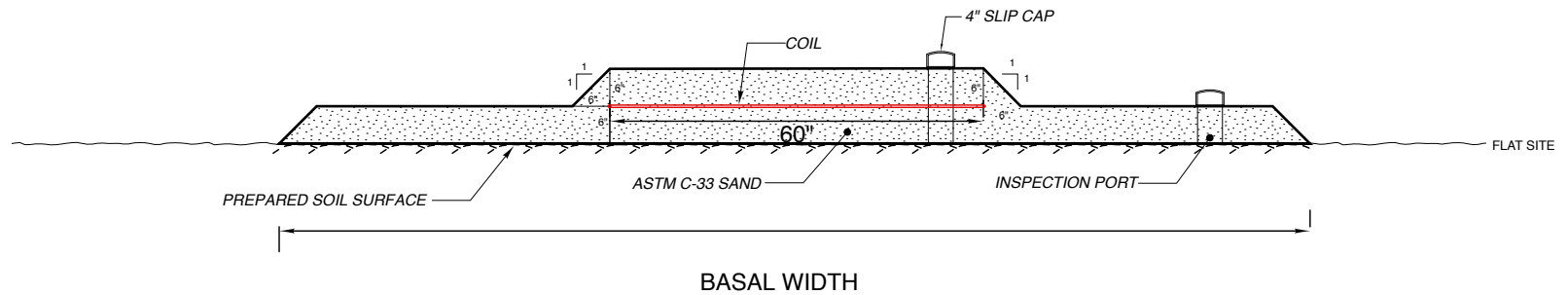


# OS-360-5



**Plan View**  
NTS



**Section A**  
NTS