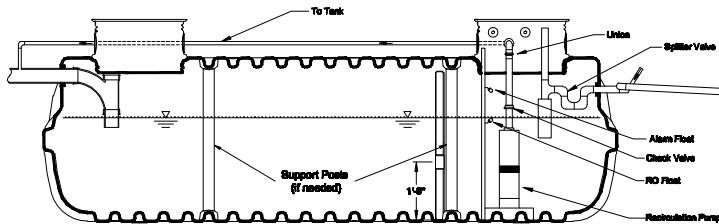
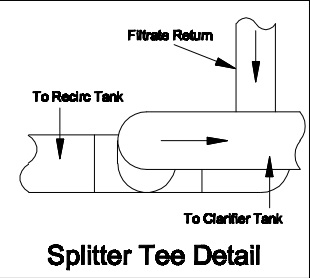
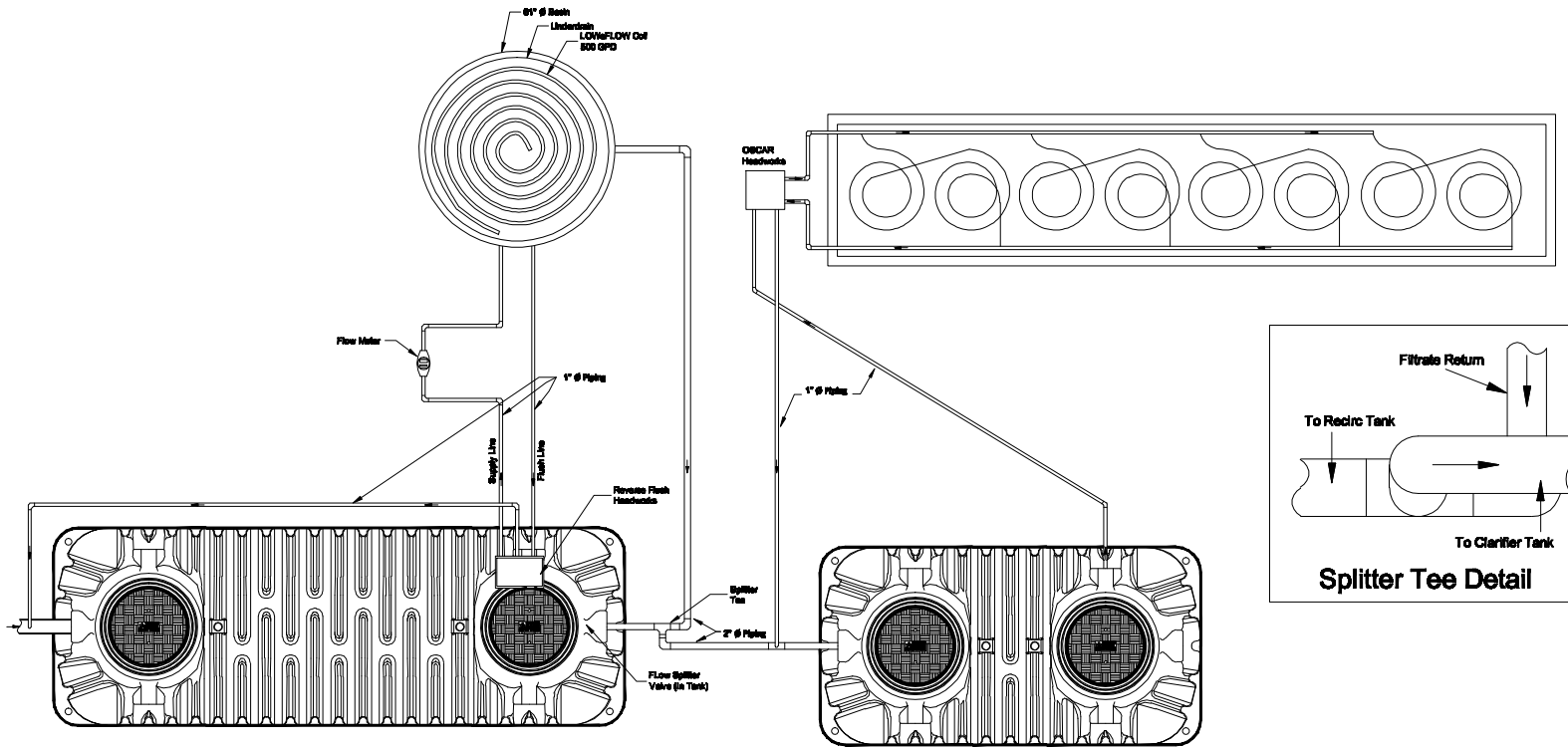
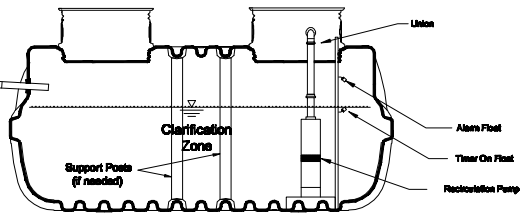


REVISIONS TO DRAWINGS		
No.	Date	Remarks



Roth RMT-1800
1800 Gallon
Recirculation Tank



Roth RMT-1000E
1000 Gallon Clarifier/
Pump Tank

OSCAR-LOWeFLOW 500 GPD 1000E

Roth
Industries
268 Bellew Ave. South
Watertown, NY 13601

Designed By:
Lowridge Onsite Tech.
Drawn By:
James C. Kenney

Date:
03/02/17

Scale:
Varies

SHEET

(C-1)