

Control Panel Wiring Diagram

Model LF2P-RF-OS-CW-AUX



Orenco Systems
Incorporated

814 AIRWAY AVENUE
SUTHERLIN, OREGON
97479

TOLL FREE:
(800) 348-9843

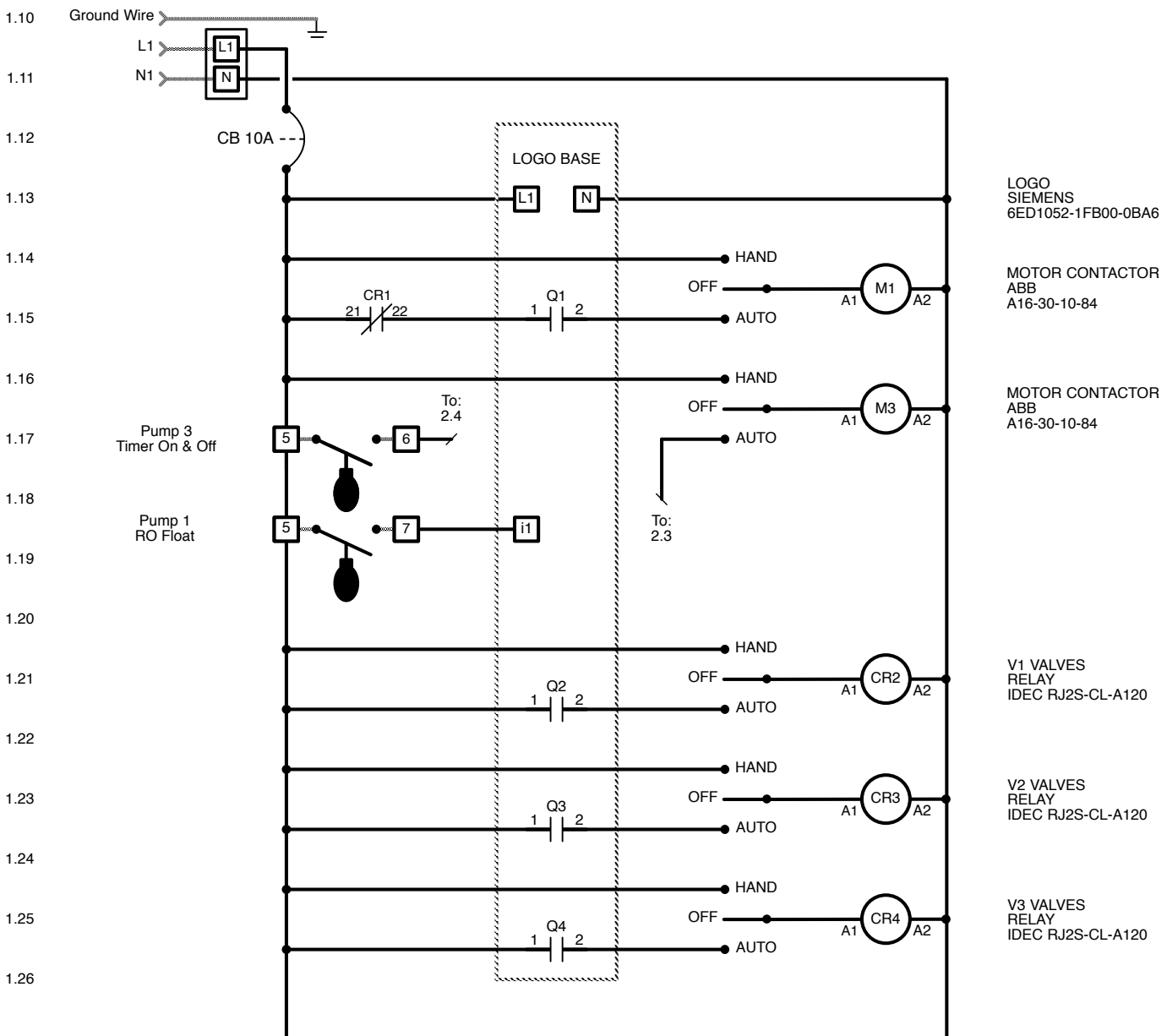
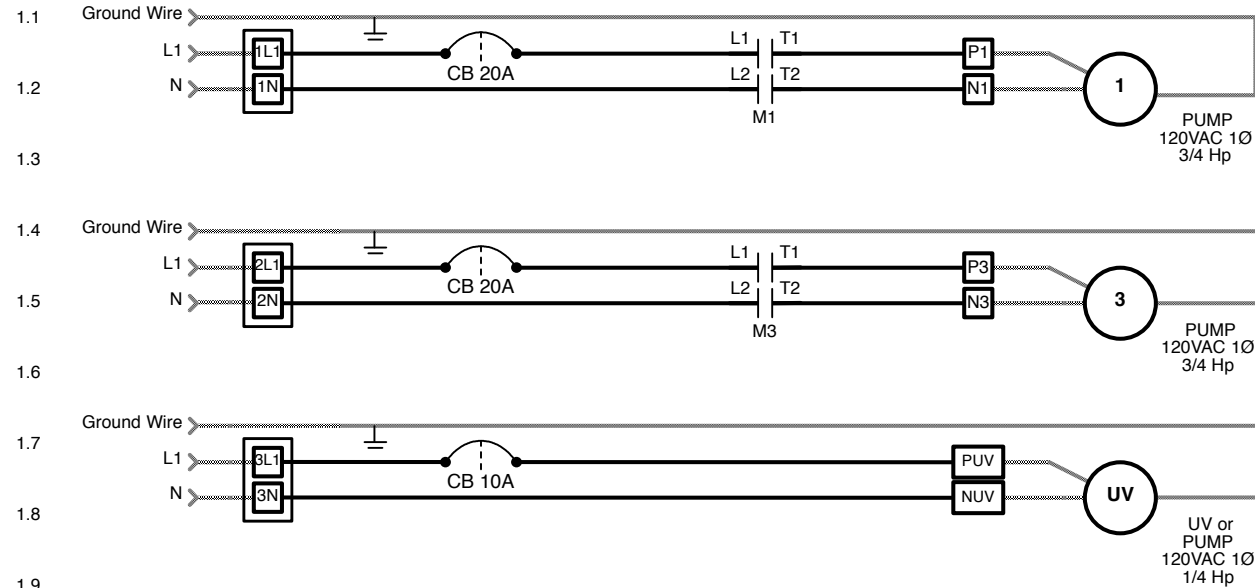
TELEPHONE:
(541) 459-4449

FACSIMILE:
(541) 459-2884

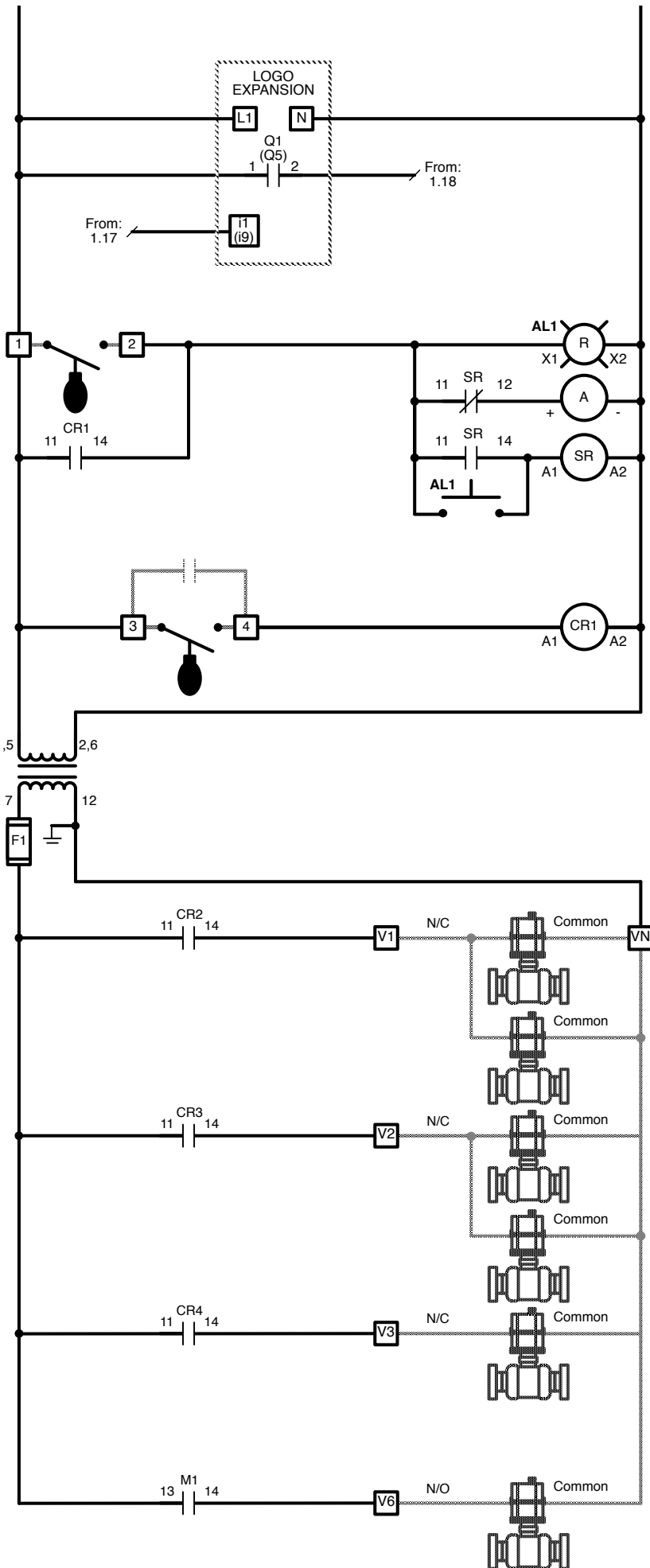
WEB SITE:
www.orenco.com

From Main Power Panel
120 VAC, 1 Phase, 60 Hz.
Branch disconnect
provided by others.

— = Factory Wire
- - - = Field Wire



2.1
2.2
2.3
2.4
2.5
2.6
2.7
2.8
2.9
2.10
2.11
2.12
2.13
2.14
2.15
2.16
2.17
2.18
2.19
2.20
2.21
2.22
2.23
2.24
2.25
2.26
2.27



DM8
SIEMENS
6ED1055-1FB10-0BA1

LEVEL ALARM
LIGHT
IDEC HW SERIES

AUDIBLE ALARM
FLOYD BELL
MW09201Q

ALARM SILENCE
RELAY
IDEC
RJ2S-CL-A120

PUSH TO SILENCE

ALARM RELAY
IDEC
RJ2S-CL-A120

SOLENOID VALVE 1
S1 24VAC VALVE
PROVIDED BY OTHERS

SOLENOID VALVE 2
S2 24VAC VALVE
PROVIDED BY OTHERS

SOLENOID VALVE 3
S3 24VAC VALVE
PROVIDED BY OTHERS

SOLENOID VALVE 4
S4 24VAC VALVE
PROVIDED BY OTHERS

SOLENOID VALVE 5
S5 24VAC VALVE
PROVIDED BY OTHERS

SOLENOID VALVE 6
S5 24VAC VALVE
PROVIDED BY OTHERS